

NOT	ÄNDRING	INFÖRD	SIGN

EXAMPLE
Switchgear 12 kV
MV Type 1



SECONDARY SUBSTATION

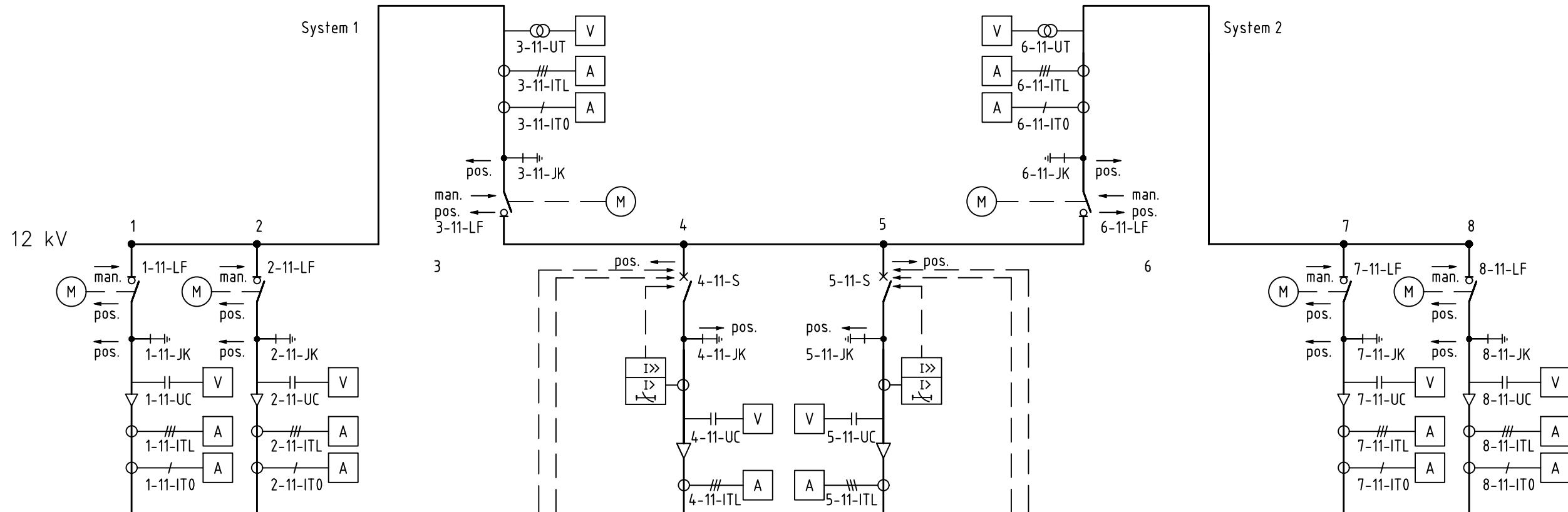
Attachment 1

SWITCHGEAR

Single-line diagram

KONSTR.	KJS	RIT.	KJS
KOLL.	HRo	GODK.	
SKALA		DAT.	2023-10-23

ERS.	
BLAD	1
FORTS.BLAD	-



Tripping from temperature indicator and arc protection.

Tripping from temperature indicator and arc protection.

- Motor driven braker/load disconnecter, controlled by the RTU
- Three phase voltage measurement connected to the RTU
- Current measurement connected to the RTU
- Maneuver from RTU
- Double point position of Braker/Load disconnecter